



# TiTan™ 10ST Ion Pump

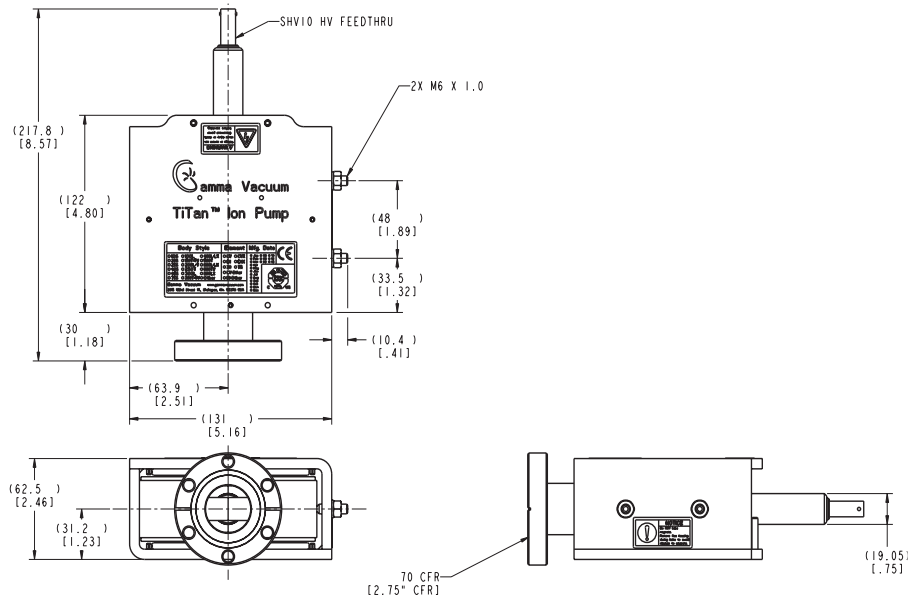


## TECHNICAL SPECIFICATIONS

Element Type	CV/CVX	DI/DIX
Pumping Speed (l/s, Nitrogen)	10	8
Starting Pressure (mbar)	$\leq 1 \times 10^{-3}$	$\leq 1 \times 10^{-3}$
Lifetime (hours @ $10^{-6}$ mbar)	50,000	
Ultimate Pressure (mbar)	$< 1 \times 10^{-11}$	
Maximum Baking Temperature (°C)	100 / 450 (without magnets)	
Inlet Flange	DN 35 (2.75 in.) CFR	
Weight, kg (lbs)	4 (9)	

\*The 25SVT is a thin version of the standard 25SVW.  
The magnets are rare earth materials and not bakeable.

## DIMENSIONAL DETAILS\*



\*Single inlet flange shown. Alternative configurations available at [www.gammavacuum.com](http://www.gammavacuum.com)

**STANDARD OPTIONS\***

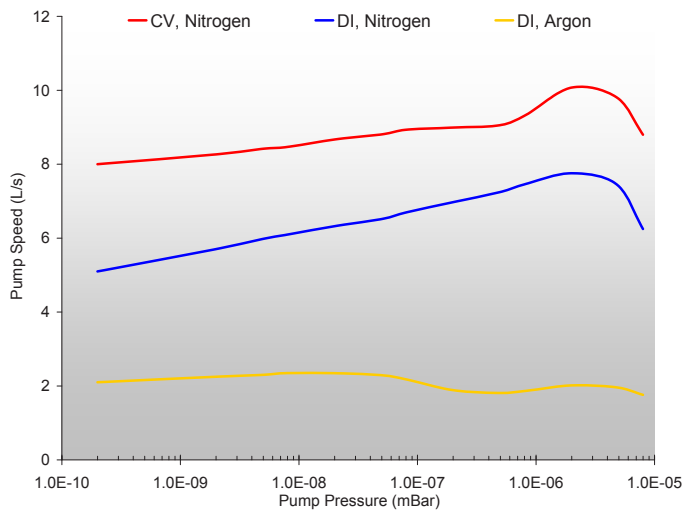
Element Styles		Ports		Feedthroughs		Heaters		TSP/NEG	
CV	Conventional 100% Titanium	2H	Single DN 35 (2.75 in. CFR) Horizontally oriented	SC	SAFECONN™ 10kV SHV	N	No Heaters	N	Not Available
DI	Differential 50% Titanium 50% Tantalum	2V	Single DN 35 (2.75 in. CFR) Vertically oriented	OV	Old Varian				
		2D	Double DN 35 (2.75 in. CFR)	FI	Fisher				

\*Configured part numbers and pricing are available at [www.gammavacuum.com](http://www.gammavacuum.com). Contact us directly for custom engineered options.

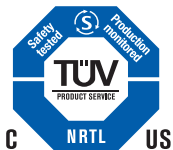
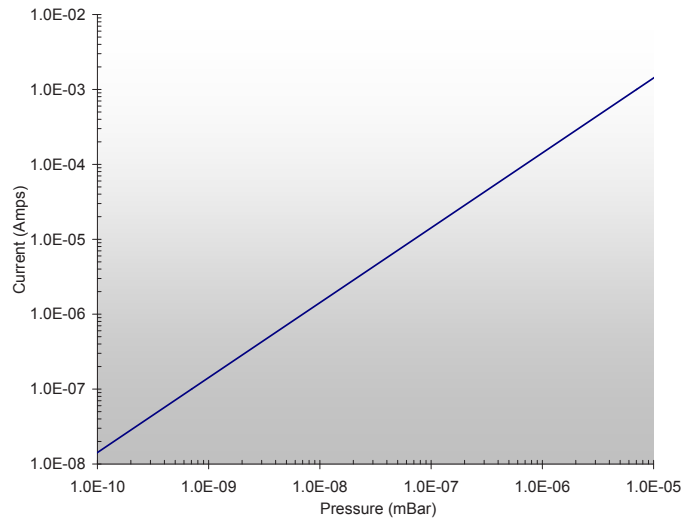
**PERFORMANCE CHARACTERISTICS**

**Pumping Speed vs. Pressure**

measured in accordance with ISO/DIS 3556-1.2-1192



**Current vs. Pressure**



**GAMMA VACUUM**

2915 133rd Street West  
 Shakopee, MN 55379 | USA  
 800.237.3603 T | 952.445.4841 P  
 952.445.7615 F

[gammavacuum.com](http://gammavacuum.com) | [info@gammavacuum.com](mailto:info@gammavacuum.com)